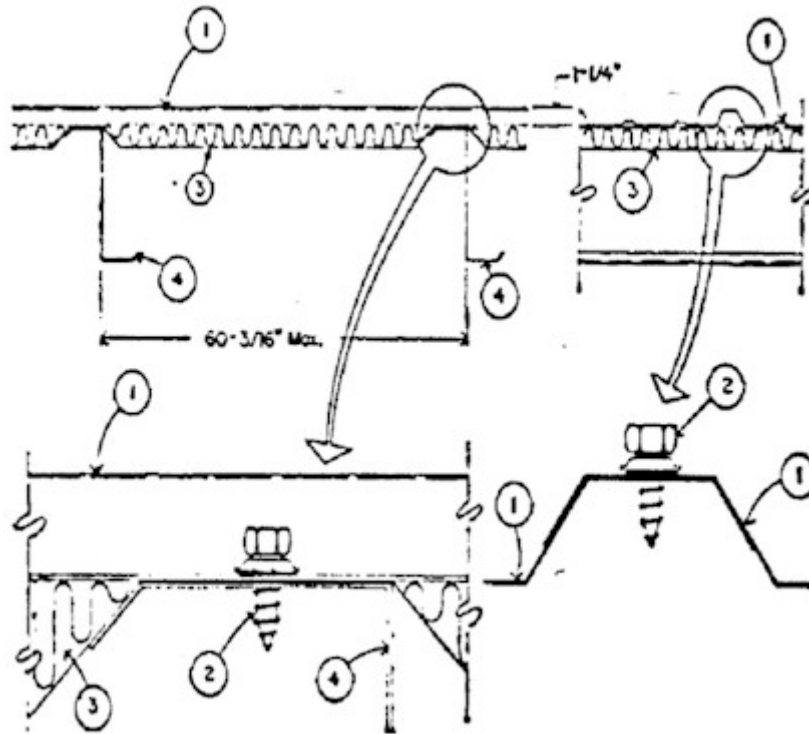


## Construction No. 79

Uplift - Class 90

Fire Not Investigated



**1. Metal Roof Deck Panels\*** No. 26 MSG min gauge coated steel. Panels continuous over two or more spans. End laps to occur over purlins with panels overlapped 3 in. min with lap centered over purlin web. A line of tape sealant may be used at panel side and end laps.

- A&S BUILDING SYSTEMS, INC.--- "R" or "PBR"
- ACI BUILDING SYSTEMS INC - "R" or "PBR Panel"
- ALLIANCE STEEL CO - "R Panel"
- BERRIDGE MFG CO - "R Panel"
- BUILDING CONCEPTS LTD - "B Panel"
- CORRUGATED INDUSTRIES INC - "R Panel"
- FLORIDA PRE-FAB INC - "Florida Rib Panel"
- HIRSCHFELD METAL BUILDINGS - "R"
- KIRBY BUILDING SYSTEMS INC - "Kirby-Rib Panel"
- MBCI- "R or PBR Panel"
- MESCO METAL BUILDINGS-"R" or "PBR"

- MIDLAND METALS, INC. — "PBR"
- NCI BUILDING SYSTEMS L P - "R" or "PBR Panel"
- STANDARD STRUCTURES INC - "PBR Panel" or "R Panel"
- UNITED STEEL DECK INC - "Uniline R Panel"
- WHIRLWIND STEEL BUILDINGS INC - "Super-Span (X)"

**2. Panel Fasteners** For panel to purlin and panel to panel connections to be No. 14 self-tapping, hex-head, plated steel or stainless steel screws with a separate 5/8 in. OD steel or aluminum washer and a separate neoprene sealing washer. Length for panel to purlin fasteners to be 3/4 in. for insulation up to 3 in. and 1-1/4 in. for insulation over 3 in. For panel to panel fasteners to be 3/4 in. Spacing for panel to purlin fasteners to be 6 in. OC with fasteners located 3 in. from the center line on both sides of each major rib. Or; in a 5-7-5-7 in. pattern with fasteners located 2-1/2 in. from the center line on both sides of each major rib. Spacing at end laps to follow same spacing as that used for continuous panels. At end laps spacing to be 6 in. OC with fasteners located adjacent to major ribs.

Spacing for panel to panel fasteners to be 20 in. OC.

Pilot holes: For panel to purlin fasteners to be 13/64 in. diam. For panel to panel fasteners to be 1/8 in. diam.

As An Alternate Fastener - No. 12-14 self-drilling, self-tapping, 1/2 in. hex-washer head, Type B steel or stainless steel screws with a neoprene sealing washer may be used. Length: For panel to purlin fasteners to be 1 in. for insulation up to 3 in. and 1-1/2 in. for insulation over 3 in. For panel to panel fasteners to be 1 in. Spacing to be the same.

**3. Insulation** (Optional) - Any compressible blanket insulation 4 in. max thickness before compression.

**4. Purlin** No. 16 MSG min gauge steel (50,000 psi min yield). Or: Min H series open web steel joists.

**5. Lateral Bracing** (Not Shown) - As required.

Refer to General Information, Roof Deck Constructions (Roofing Materials and Systems Directory) for Items not evaluated.

\*Bearing the UL Classification Marking